

INTERNAL CEILING GRILLES - TYPES IALG, IDJG & ILG

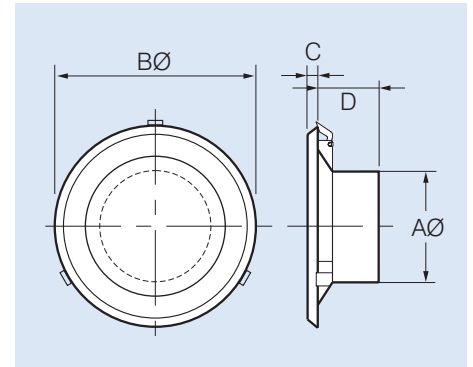
TYPE IALG



IALG grilles are designed for ceiling mounting in exhaust applications. The grilles incorporate an adjustable air valve.

Model IALG...	Dimensions, mm				Hole Cutout Ø
	AØ*	BØ	C	D	
150	150	260	16	90	232
200	200	315	16	95	282
250	250	390	16	100	355
300	300	440	16	100	405

*Nominal duct diameter



Scan the QR Code to view more information online.



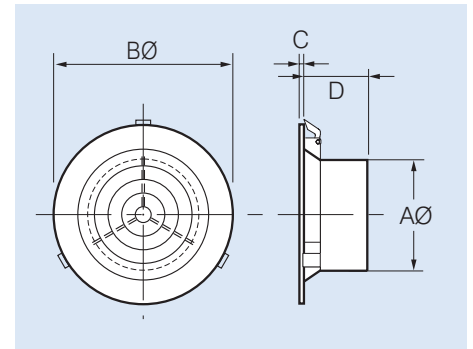
TYPE IDJG



IDJG downjet grilles are designed for ceiling exhaust or supply air applications. The grilles incorporate an adjustable air damper and removable grille for easy cleaning.

Model IDJG...	Dimensions, mm				Hole Cutout Ø
	AØ*	BØ	C	D	
150	150	240	5	95	206
200	200	290	5	115	256

*Nominal duct diameter



Scan the QR Code to view more information online.



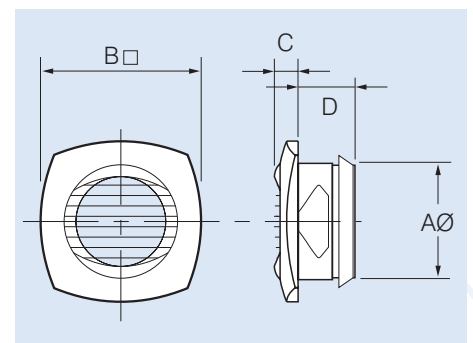
TYPE ILG



ILG grilles are designed for small ceiling exhaust and supply air applications using 125mm duct.

Model ILG...	Dimensions, mm				Hole Cutout Ø
	AØ*	B□	C	D	
125	125	170	26	60	130

*Nominal duct diameter



Scan the QR Code to view more information online.

